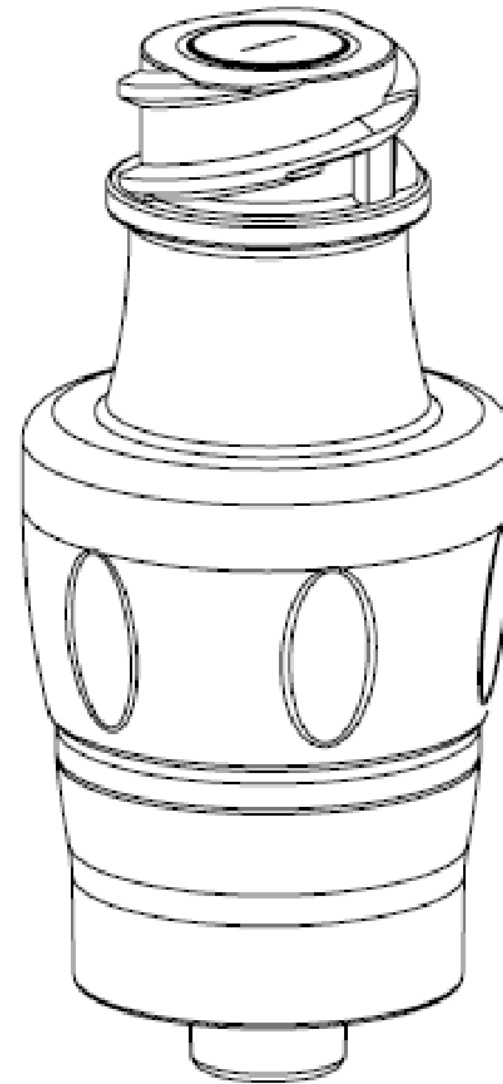
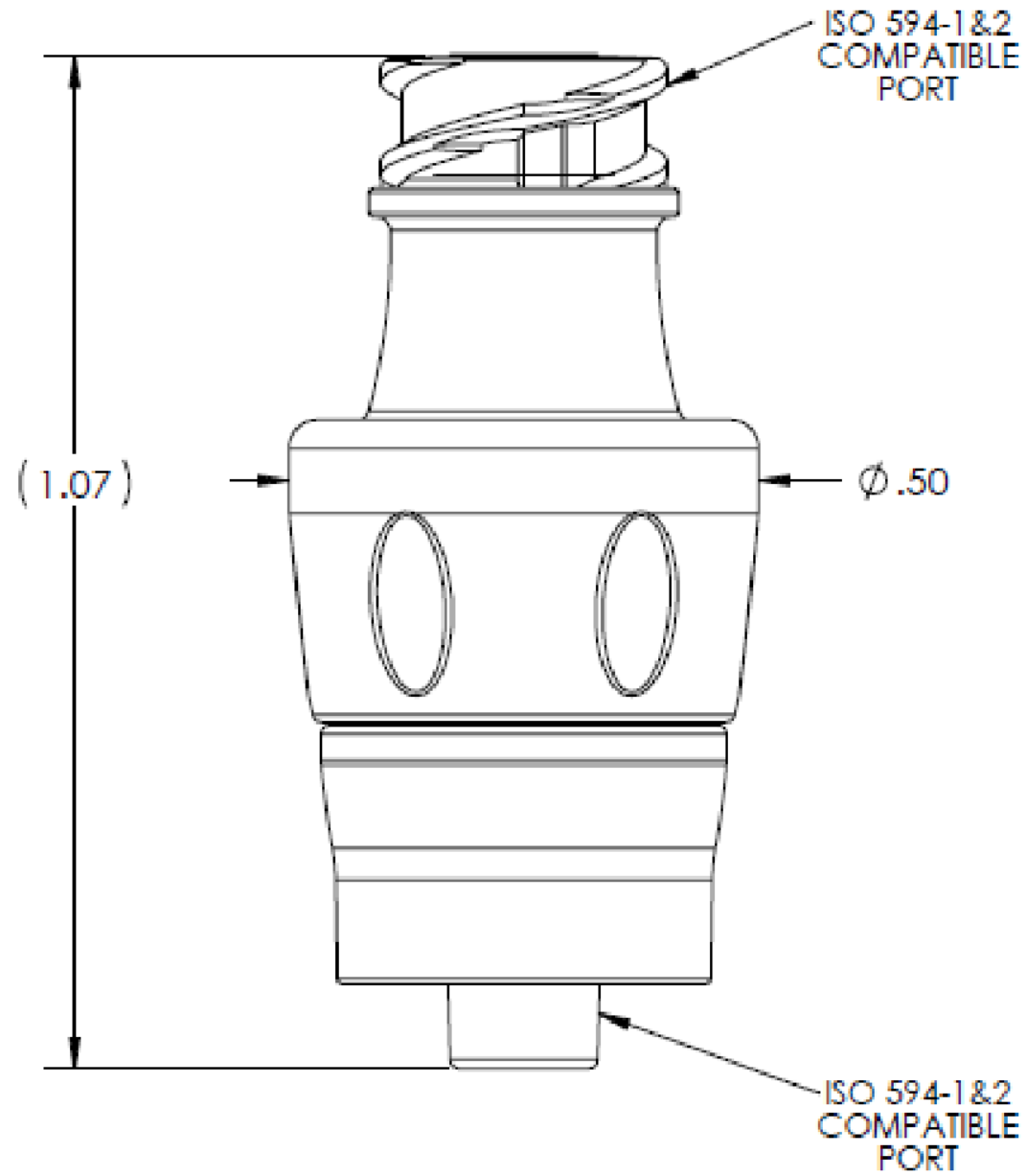


NOTES: FOR ADDITIONAL DETAILS, PLEASE CONTACT VP CUSTOMER SERVICE
 DIMENSIONS MARKED  ARE CONTROL DIMENSIONS

REVISIONS			
REV.	DESCRIPTION	DATE	APPROVED
A	INITIAL RELEASE	08-17-18	FJL



UNLESS OTHERWISE SPECIFIED DIMENSIONS ARE IN INCHES TOLERANCES ARE:		VALUE PLASTICS, INC			
FRACTIONS DECIMAL ANGULAR ± .XX ±.01 ± 1° .XXX ±.005 .XXXX ±.001		PART NUMBER: NVNPFMLL-001			
DO NOT SCALE DRAWING		DESCRIPTION: NEUTRAL PRESSURE NEEDLEFREE VALVE FEMALE LUER TO MALE LUER LOCK			
DRAWN BY: Frank.Lombardi	DATE: 8/17/2018	SIZE: B	SCALE: NTS	VER: 	DWG. NO. 1068136
MANAGER: Doug Kimmel		© 2014 VALUE PLASTICS, INC			REV A
				SHEET: 1 OF 1	

FOR REFERENCE ONLY